

# Technical data sheet

Product features



## Cooking range induction electric

<b>Model</b>	<b>SAP Code</b>	00014757
--------------	-----------------	----------



- Device type: Electric unit
- Power consumption of the zone 1 [kW]: 3,5
- Power consumption of the zone 2 [kW]: 3,5
- Protection of controls: IP24
- Material: AISI 304

<b>SAP Code</b>	00014757	<b>Power electric [kW]</b>	7.000
<b>Net Width [mm]</b>	400	<b>Loading</b>	400 V / 3N - 50 Hz
<b>Net Depth [mm]</b>	730	<b>Number of zones</b>	2
<b>Net Height [mm]</b>	300	<b>Power consumption of the zone 1 [kW]</b>	3,5
<b>Net Weight [kg]</b>	42.00	<b>Power consumption of the zone 2 [kW]</b>	3,5

# Technical data sheet

Technical drawing

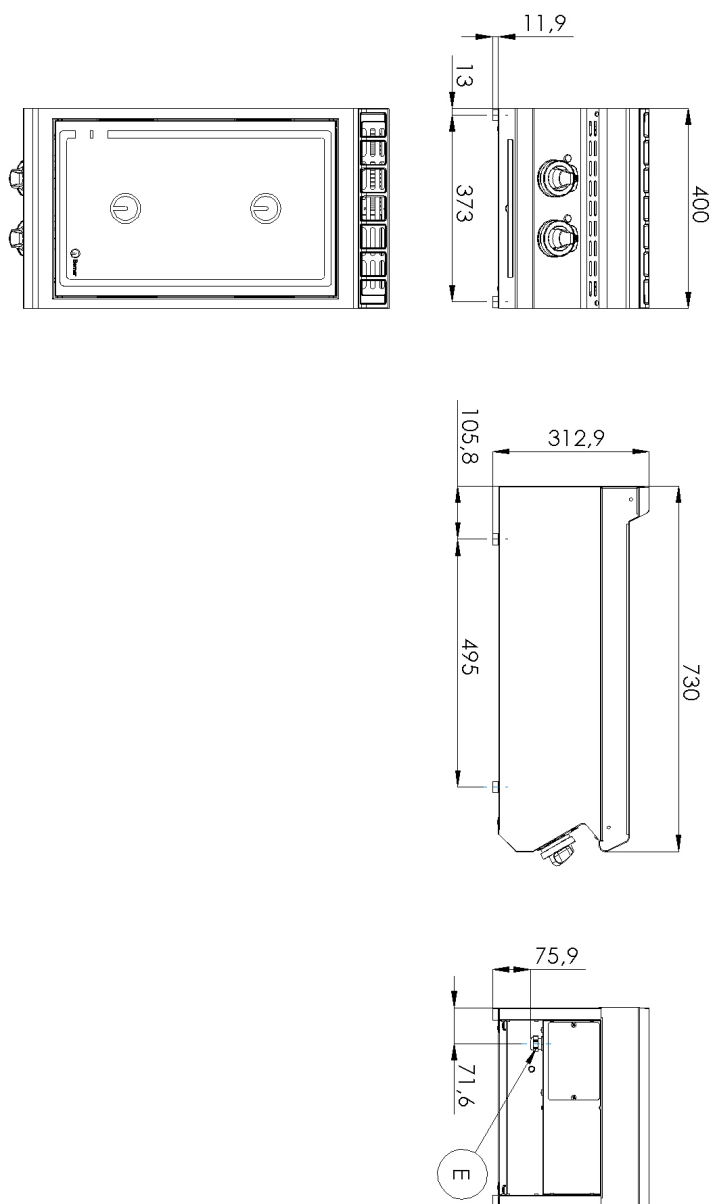


Cooking range induction electric

Model

SAP Code

00014757



# Technical data sheet

Technical parameters



## Cooking range induction electric

**Model**

**SAP Code**

00014757

**1. SAP Code:**

00014757

**2. Net Width [mm]:**

400

**3. Net Depth [mm]:**

730

**4. Net Height [mm]:**

300

**5. Net Weight [kg]:**

42.00

**6. Gross Width [mm]:**

460

**7. Gross depth [mm]:**

820

**8. Gross Height [mm]:**

480

**9. Gross Weight [kg]:**

48.00

**10. Device type:**

Electric unit

**11. Construction type of device:**

Table top

**12. Power electric [kW]:**

7.000

**13. Loading:**

400 V / 3N - 50 Hz

**14. Protection of controls:**

IP24

**15. Exterior color of the device:**

Stainless steel

**16. Material:**

AISI 304

**17. Indicators:**

operation

**18. Worktop type:**

Molded - comfortable cleaning maintenance

**19. Worktop material:**

AISI 304

**20. Worktop Thickness [mm]:**

1.50

**21. Number of zones:**

2

**22. Power consumption of the zone 1 [kW]:**

3,5

**23. Power consumption of the zone 2 [kW]:**

3,5

**24. Service accessibility:**

Trough the frontal panel

**25. Number of burners/hot plates:**

2

**26. Type of electric cooking zones:**

Induction

# Technical data sheet

Technical parameters



## Cooking range induction electric

Model	SAP Code	
		00014757

### 27. Cross-section of conductors CU [mm<sup>2</sup>]:

1,5

– Výkon (kW): 5-5,7 (230 V); 8,7-9,8 (400 V)